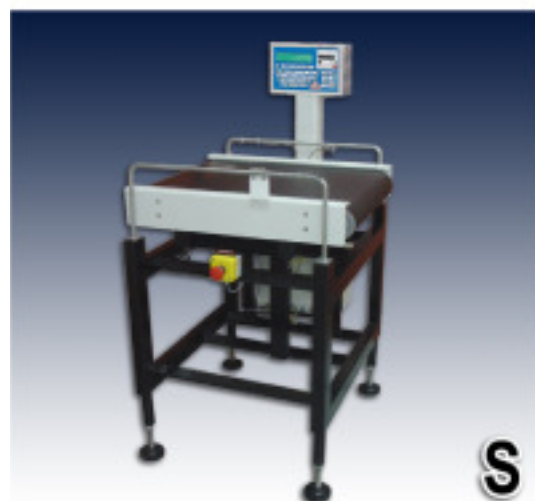


AUTOMATIC STATIC CHECKWEIGHERS WITH TMC TERMINAL



S



H

Static checkweighers are checked weighing stands for measuring heavy loads with low speed (approximately 10 measurements a minute).

Scales are designed to be built in technological lines. A load moving on the line, when entering its weighing part is stopped and measured. Data on its mass is automatically transferred to a computer.

Static checkweighers can cooperate with roller conveyors. Additional application for these scales are metal detectors, applied mostly in food industry. Completely automatic production lines requires full product selection without operator's involvement.

Special functions:

- weighing loads with constant cycle of measurements - automatic transferring data on mass to other devices
- possibility of defining printout format
- operation of relay outputs for information
- cooperation with other devices in technological lines
- generating multilevel reports
- data base for operators
- data base for assortment
- cooperation with computer software for control of packaged goods
- statistics

Optionally:

- optical/acoustic signalization of weighing ranges
- discrimination of bad packages



2 years warranty period

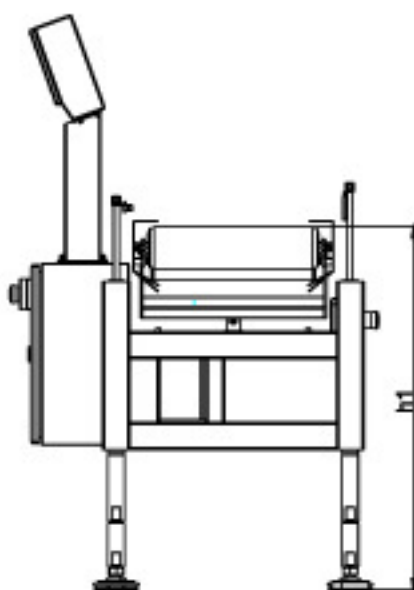
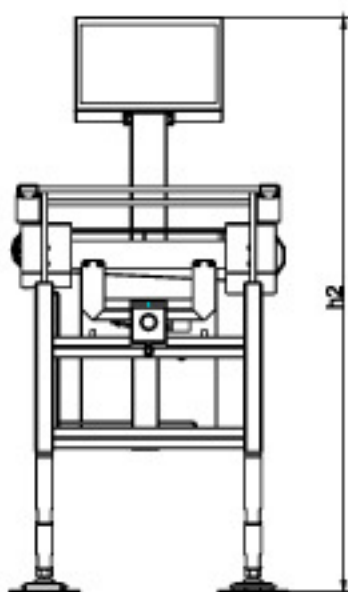
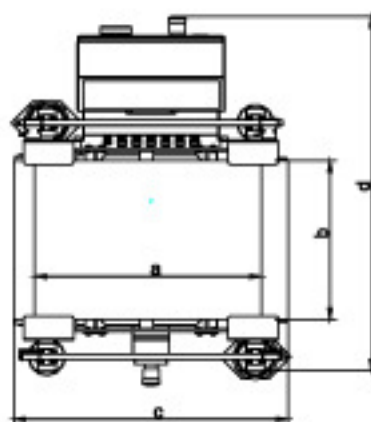
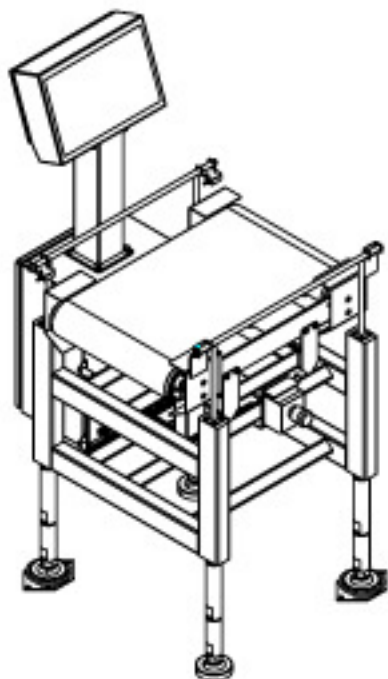
Technical data:

	DWT/T 20 S1	DWT/T 20 S2	DWT/T 20 S3	DWT/T 30 S1	DWT/T 30 S2	DWT/T 30 S3
	DWT/T 20 H1	DWT/T 20 H2	DWT/T 20 H3	DWT/T 30 H1	DWT/T 30 H2	DWT/T 30 H3
Max capacity	20 kg	20 kg	20 kg	30 kg	30 kg	30 kg
Readability	10 g	10 g	10 g	10 g	10 g	10 g
Efficiency	10 pcs/min					
Max speed	0,23 m/s					
Power supply	230V AC					
Pobór prądu	3A					
Napięcie sterujące	24V DC					
IP rating	IP 65 (steel version) IP 67/68 (stainless steel version)					
Working temperature	-10 – +40 °C					
Interface	RS 232, 485, Ethernet					

S - steel version , H - stainless steel version

DISTRIBUTOR:

AUTOMATIC STATIC CHECKWEIGHERS WITH TMC TERMINAL



Technical data:

		pan size	a	b	b	d	h1	h2
		[mm]	[mm]	[mm]	[mm]	[mm]	[mm]	[mm]
DWT/T 20 S1	DWT/T 20 H1	450 × 320	500	350	605	780	550+850	970+1270
DWT/T 20 S2	DWT/T 20 H2	550 × 370	600	400	705	830	550+850	970+1270
DWT/T 20 S3	DWT/T 20 H3	650 × 370	700	400	805	830	550+850	970+1270
DWT/T 30 S1	DWT/T 30 H1	450 × 320	500	350	605	780	550+850	970+1270
DWT/T 30 S2	DWT/T 30 H2	550 × 370	600	400	705	830	550+850	970+1270
DWT/T 30 S3	DWT/T 30 H3	650 × 370	700	400	805	830	550+850	970+1270

S - steel version, H - stainless steel version

DISTRIBUTOR: